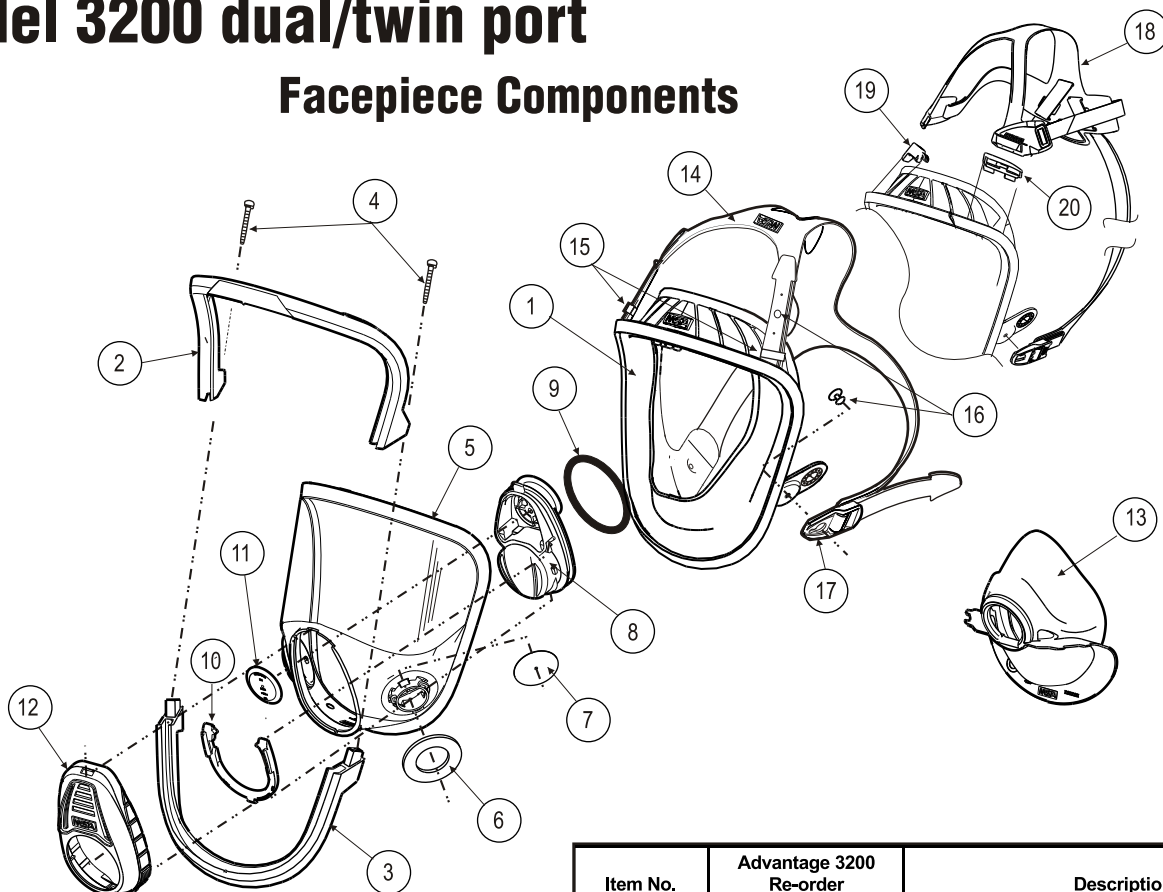


Advantage® 3000

model 3200 dual/twin port

Facepiece Components



Item No.	Advantage 3200 Re-order Part Number	Description
1	10025280	Small Silicone Advantage 3000 Face Blank
	10025258	Medium Silicone Advantage 3000 Face Blank
	10025259	Large Silicone Advantage 3000 Face Blank
	10030785	Lens Ring Kit
2	—	1 - Upper Lens Ring
3	—	1 - Lower Lens Ring
4	—	2 - Lens Ring Screw
5	10030786	Dual/Twin Port Lens with Bayonet Connectors, Gaskets, and Valves
6	10030787	Dual/Twin Port Bayonet Gasket, 10 per Package
7	10030788	Inhalation Valve, 10 per Package
	10030790	Dual/Twin Port Housing Replacement Kit
8	—	1 - Dual Port Housing
9	—	1 - O-ring
10	—	1 - Retainer Clip
11	10030789	Exhalation Valve, 5 per Package
12	10025291	Cover
13	10030792	Medium/Large Nose Cup
	10030793	Small Nose Cup
—	10030794	Classic Rubber Harness Kit
14	—	1 - Rubber Harness
15	—	2 - Slide
16	—	4 - Harness Button
17	—	2 - Buckle
—	Classic Rubber Harness Parts	
15	10030797	Slide for Classic Rubber Harness, 10 per Package
16	10030795	Harness Button, 12 per Package
17	10030796	Buckle for Classic Rubber Harness, 6 per Package
	10030798	Advantage Harness (Plastic) Kit
18		1 Advantage Harness
19		1 Right Adapter Clip
20		1 Left Adapter Clip

Parts only sold as Kits